



Retractable Barrier Tapes



Retractable Barrier Tapes Range

The A-SAFE range of retractable barrier tapes offers a versatile solution for temporarily restricting vehicle or pedestrian movements within your facility. Quick to deploy, the bright yellow and black chevron fabric tapes serve as both a visual warning and a physical cordon, allowing you to close walkways, vehicle routes and racking aisles easily and safely. Furthermore, unlike cones, which take up storage space and can create a trip hazard, space-saving self-retracting barrier tape reels can be installed easily to A-SAFE barrier posts or temporarily fitted to warehouse racking.

The range also includes a useful signboard accessory that can be mounted in seconds to tape reel units, enabling you to further enhance safety with your own custom A4 signage.



Retractable Barrier Tape Post Kit

The post-mounted retractable barrier kit provides a temporary cordon to prevent access to walkways or zones within a facility. It rapidly controls the flow of traffic and is ideal for closing off an area for activities such as cleaning and maintenance.

The multi-directional, self-retracting barrier tape reel is universally compatible with any polymer barrier system and fits easily to post caps with a diameter of 80mm or more. The extendable fabric tape can be clipped in place using a multi-directional, post-mounted receiver or a vertical surface-mounted receiver.

Kit contents

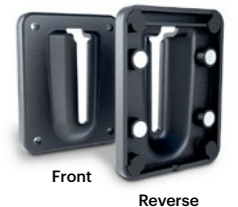
1 x lockable self-retracting 9m tape reel



1 x post receiver unit
Easy fit to any polymer barrier post with a minimum diameter of 80mm



1 x vertical receiver unit
Featuring mounting holes and integrated magnetic mounts



Retractable Barrier Tape Racking Kit

The rack-mounted retractable barrier kit reduces the risk of accidents and pedestrian injuries by temporarily preventing vehicle access to racking aisles during manual activities such as maintenance and rack inspection. Easy to deploy and highly visible, the yellow and black chevron puller tapes serve as both a visual warning and a physical barrier.

Kit contents

2 x lockable self-retracting 9m tape reels



4 x receiver units

Attachment unit can be fitted using magnetic or cord-mounted fitments



1 x carry case

The kit is fully portable and comes with a robust carry case, while multiple mounting options ensure self-retracting reel units and receivers can be quickly deployed on a wide range of racking systems



A4 Sign Board Unit

The A4 Sign Board improves site safety by displaying critical notices and signage to pedestrians and vehicle drivers.

Quick to install, it can be used as an accessory to the A-SAFE Retractable Barrier Tape Post Kit or attached using an optional housing unit (sold separately).

The Sign Board features a polycarbonate protective sleeve for holding any A4 sized document, allowing complete customisation of signage.



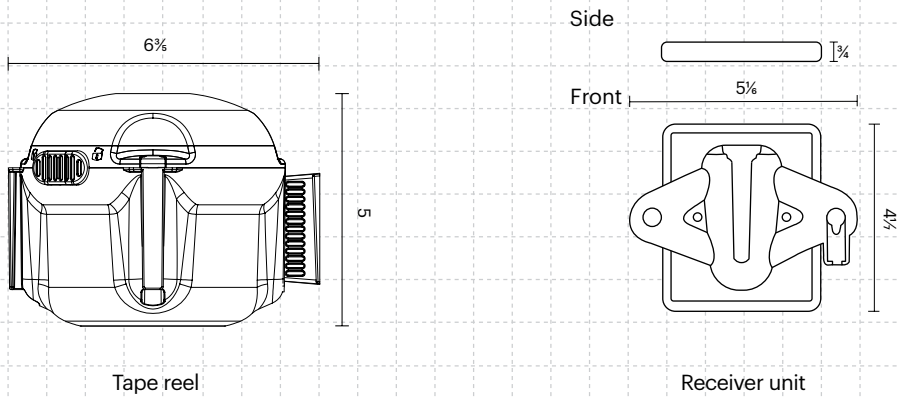
Sign Board attached to a post-mounted A-SAFE Retractable Barrier Tape Kit



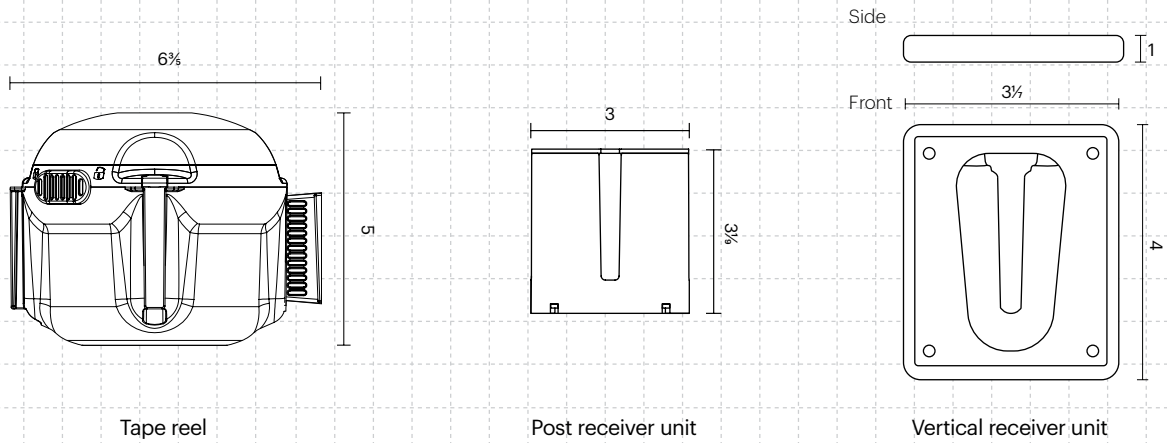
Sign Board attached to the optional housing unit (sold separately)

Product dimensions (mm)

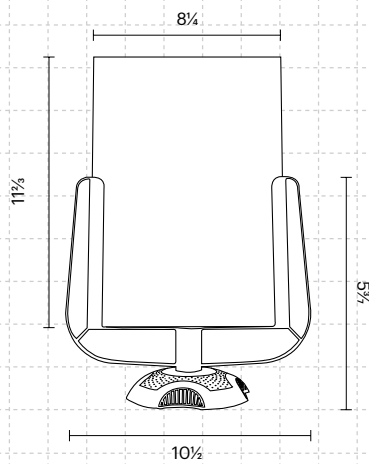
Retractable Barrier Tape Racking Kit



Retractable Barrier Tape Post Kit



A4 Sign Board Unit



INGENUITY BUILT™

A-SAFE Inc

400 North Zarfoss Drive York, PA 17404

Tel: (443) 776 3472 Email: sales@asafe.us www.asafe.com

