



A-SAFE

Slider Base Plates



Designed for zones where maintaining a length of guardrail is essential for segregation and protection purposes, but access is still required on an infrequent basis.

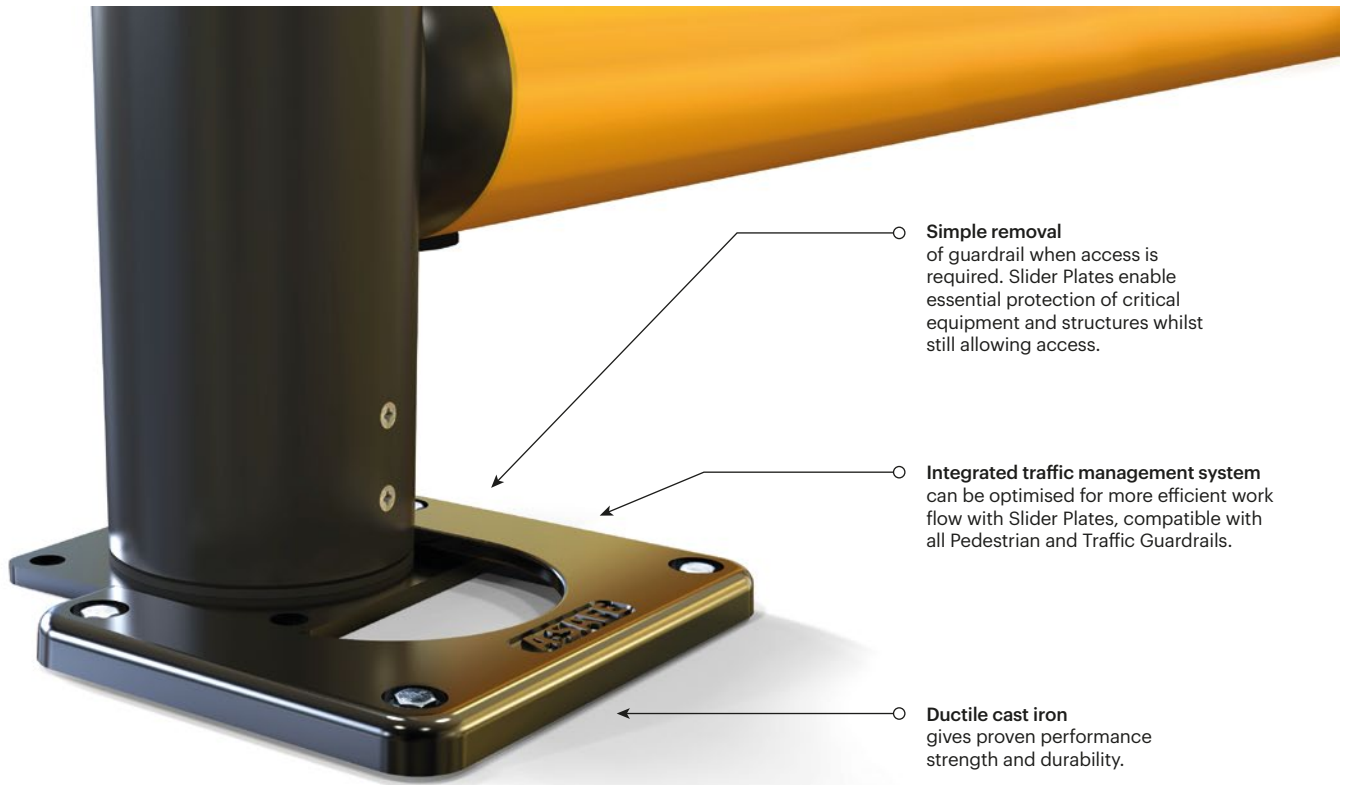
Slider Plates maintain the integrity of an overall run of guardrail but allow sections to be easily removed as and when access is required usually for vehicle or maintenance purposes.

By fixing the Slider Plates to the floor rather than the guardrails, the guardrails themselves can be conveniently slid out of position, allowing for fast and efficient access to maximise productivity.

Tested to the
global benchmark
in guardrail safety

bsi. PAS 13
Code of Practice for
Workplace Safety
Guardrails

Engineered for performance



○ Simple removal of guardrail when access is required. Slider Plates enable essential protection of critical equipment and structures whilst still allowing access.

○ Integrated traffic management system can be optimised for more efficient work flow with Slider Plates, compatible with all Pedestrian and Traffic Guardrails.

○ Ductile cast iron gives proven performance strength and durability.

Technical Information

Dimensions (inches)

